

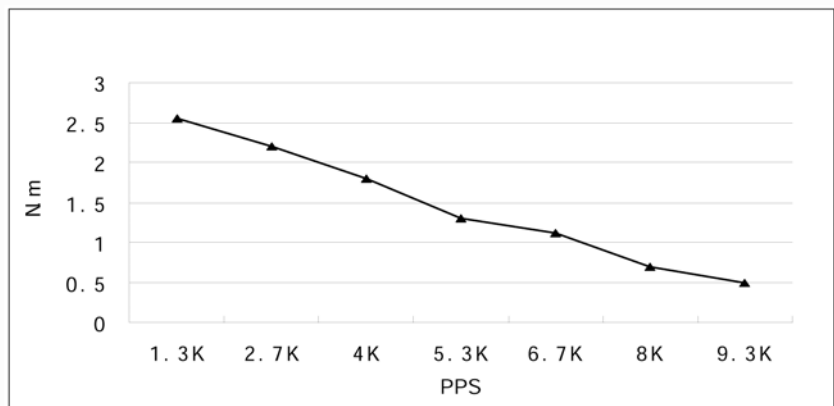
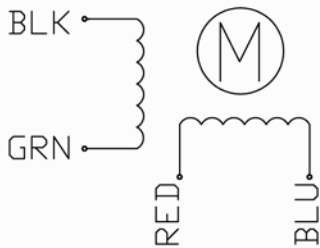
HIGH TORQUE HYBRID STEPPING MOTOR SPECIFICATIONS

| General specifications | | Electrical specifications | |
|-------------------------------------|------------------------------------|---|-------------|
| Step Angle (°) | 1.8 | Rated Voltage (V) | 3.4 |
| Temperature Rise (°C) | 80 Max (rated current, 2 phase on) | Rated Current (A) | 4.0 |
| Ambient temperature (°C) | -20~+50 | Resistance Per Phase ($\pm 0\% \Omega$) | 0.85 (25°C) |
| Number of Phase | 2 | Inductance Per Phase ($\pm 20\% \text{mH}$) | 3.8 |
| Insulation Resistance (M Ω) | 100 Min (500VDC) | Holding Torque (Kg.cm) | 32 |
| Insulation Class | Class B | Detent Torque (Kg.cm) | 1.0 |
| Max.radial force (N) | 75 (20mm from the flange) | Rotor Inertia (g.cm ²) | 680 |
| Max.axial force (N) | 15 | Weight (Kg) | 1.5 |

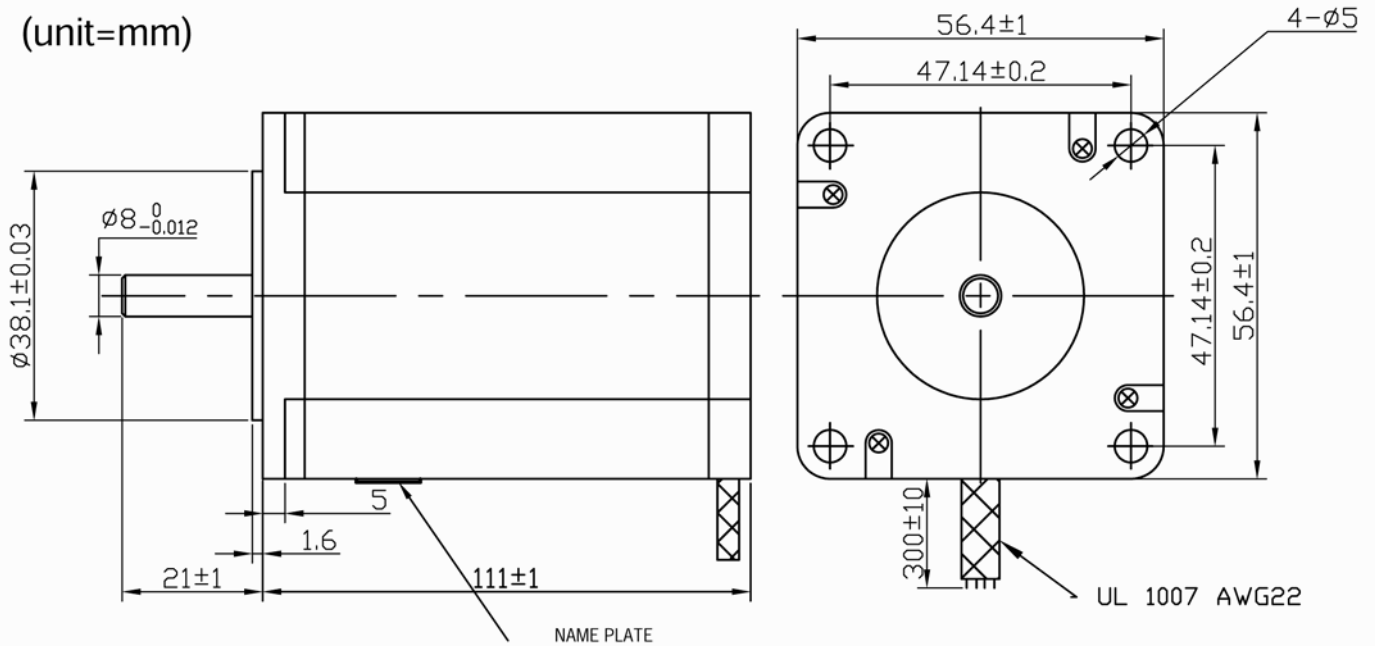
● Pull out torque curve:

VOLTAGE: 36VAC, CONSTANT CURRENT: 4.0A(Parallel) © HALF STEP

● Wiring Diagram:



● Dimensions:
(unit=mm)



| | | | | | | | |
|---------|--------------|-------------|----|------|--|---------------|----------------------|
| | | | | | | T57H111-4004 | TECHNICAL CONDITIONS |
| | | | | | | | |
| REV | REVISIONS | DESCRIPTION | BY | DATE | | Tiny Controls | 080111004 |
| DRAW | 2006. 06. 23 | | | | | | |
| CHECK | | | | | | | |
| APPROVE | | | | | | | |