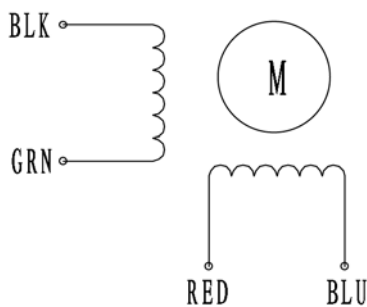


HIGH TORQUE HYBRID STEPPING MOTOR SPECIFICATIONS

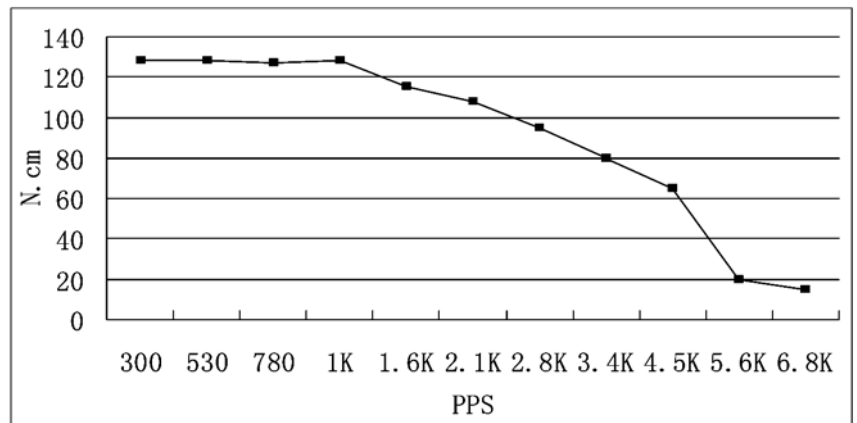
General specifications		Electrical specifications	
Step Angle (°)	1.8	Rated Voltage (V)	3.2
Temperature Rise (°C)	80 Max (rated current, 2 phase on)	Rated Current (A)	2.8
Ambient Temperature (°C)	-20 ~ +50	Resistance Per Phase ($\pm 10\%$ Ω)	1.13
Number of Phase	2	Inductance Per Phase ($\pm 20\%$ mH)	3.6
Insulation Resistance (M Ω)	100 Min (500VDC)	Holding Torque (N.cm)	189
Insulation Class	Class B		
Max. radial force (N)	75 (20mm from the flange)		
Max. axial force (N)	15		

● **Wiring Diagram :**

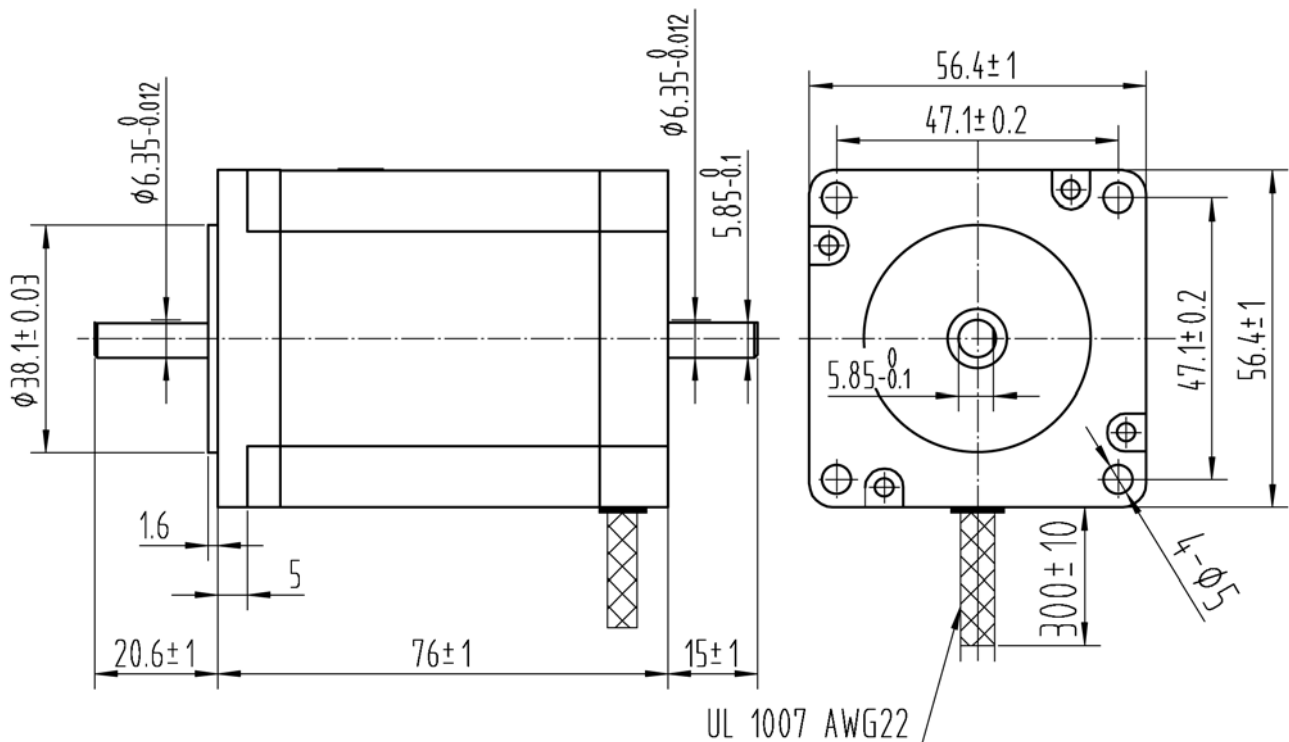


● **Pull out torque curve :**

VOLTAGE: 40VAC, CONSTANT CURRENT: 2.8A, HALF STEP



● **Dimensions:**
(unit=mm)



					T57H76-2804B	TECHNICAL CONDITIONS
REV	REVISIONS	DESCRIPTION	BY	DATE	Tiny Controls	080076182
DRAW	2014/10/21					
CHECK						
APPROVE						