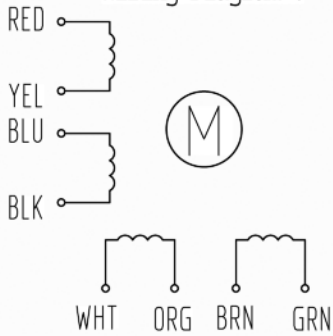


HIGH TORQUE HYBRID STEPPING MOTOR SPECIFICATIONS

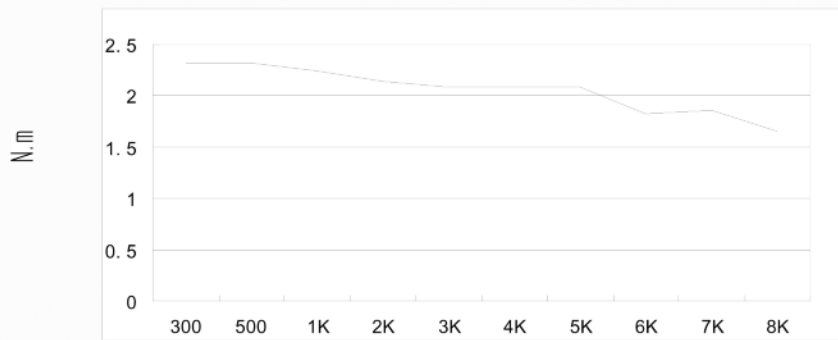
General specifications		Electrical specifications	
Step Angle (°)	1.8	Rated Voltage (V)	3.15
Temperature Rise (°C)	80 Max (rated current, 2 phase on)	Rated Current (A)	4.2
Ambient Temperature (°C)	-20 ~ +50	Resistance Per Phase (± 10% Ω)	0.75 (25°C)
Number of Phase	2	Inductance Per Phase (± 20% mH)	3.4
Insulation Resistance (MΩ)	100 Min (500VDC)	Holding Torque (N.m)	4.6
Insulation Class	Class B	Weight (Kg)	2.4
Max.radial force (N)	220 (20mm from the flange)		
Max.axial force (N)	60		

● Wiring Diagram :



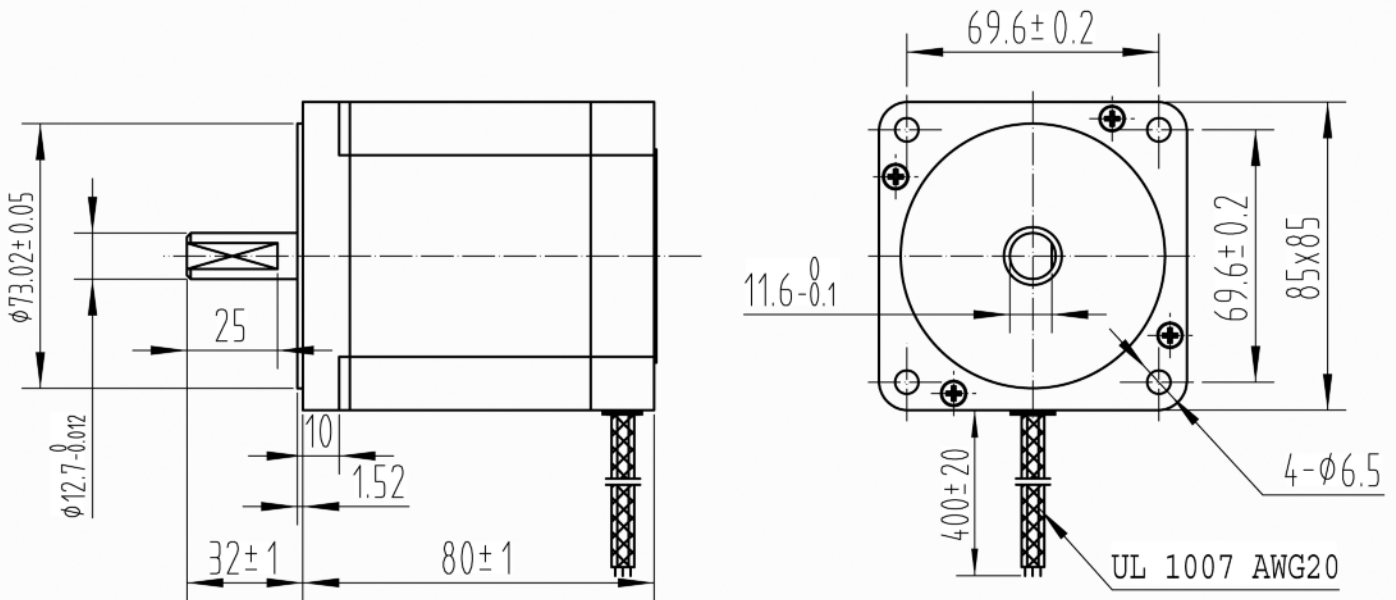
● Pull out torque curve :

VOLTAGE: 110VAC, CONSTANT CURRENT:4.2A, HALF STEP



● Dimensions:

(unit=mm)



					T85H80-4208	Tech Number
REV	REVISIONS	DESCRIPTION	BY	DATE	Tiny Controls	110080001
DRAW	2010/05/18					
CHECK						
APPROVE						