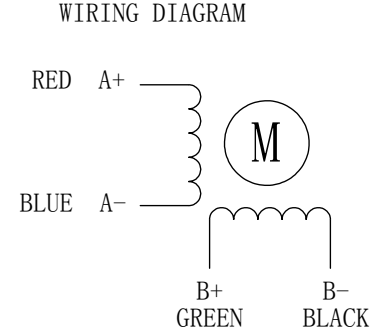
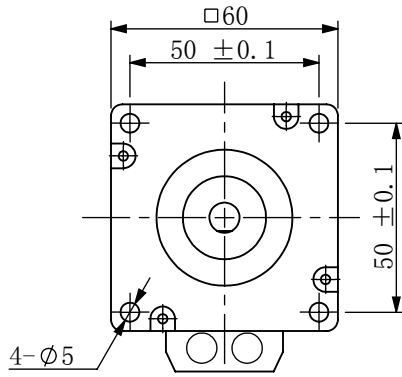
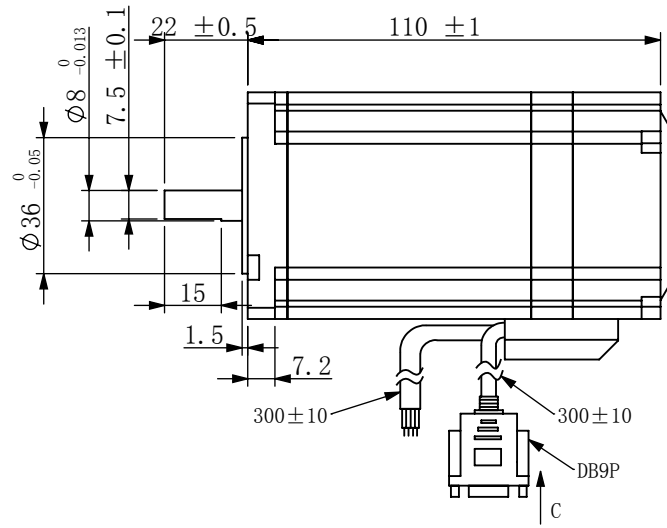


CONFORM TO RoHS INSTRUCTIONS

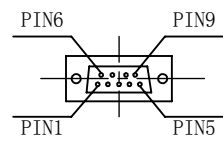


ELECTRICAL PARAMETER

STEP ANGLE	1.8° ±5%
NO. OF PHASES	2
RATED VOLTAGE	2.5V
RATED CURRENT	5.0A
RESISTANCE	0.5ohm±10% AT25°C
INDUCTANCE	2.22mH±20% AT 1kHz, 1Vrms
HOLDING TORQUE	3.0N.m
(AT —PPS) RUNNING TORQUE(AT —PPS)	——MIN (——V. DC, ——A/PHASE, ——EX)
DIELECTRIC STRENGTH	500V A. C /MINUTE
INSULATION RESISTANCE	100M Ω /MIN.
INSULATION CLASS	CLASS B
TEMPERATURE RISE	80K MAX.
ROTOR INERTIA	690g. cm ²
WEIGHT	APPROX. 1536g
ALLOWABLE THRUST LOAD	5N
ALLOWABLE RADIAL LOAD	30N(ON THE SHAFT END)
OPERATION AMBIENT TEMP.	-20°C——+50°C
OPERATION AMBIENT HUM.	15%——90%
LIFE	5000HOURS

NOTE):
 1. AT RATED CURRENT, TWO PHASES ON.
 2. OPPS
 /MEASURED BY RESISTANCE METHOD. MOUNT WITH ALUMINUM HEAT SINK 84*84*T5
 AT TWO WINDING BE EXCITED BY RATED VOLTAGE, OPPS, 2PHASE ON.
 3. LIFE TEST CONDITION: 2PHASE EXCITING, FULL STEP, AT 500PPS. STARTING PULSE,
 BEARING TEMPERATURE SHOULD BE 70° C MAX.

C DIRECTION



DEFINITION OF 1000-LINE PHOTOELECTRIC ENCODER									
NO.	1	2	3	4	5	6	7	8	9
DEFINITION	EA+	EA-	NC	EB+	EB-	NC	NC	5V	GND
COLOR	BROWN	WHITE	\	GREEN	YELLOW	\	\	RED	BLUE

EXCITING SEQUENCE(TWO PHESES)
VS. DIRECTION OF ROTATION

	STEP	A+	B+	A-	B-
CW ↓	1	+	+	-	-
	2	-	+	+	-
	3	-	-	+	+
	4	+	-	-	+
					↑ CCW

CLOCKWISE VIEW FROM MOUNTING SIDE

CONFIRMED&ACCEPTED BY COTUMER									
COMPANY CHOP&SIGNATURE									
TOLERANCE	±0.3/±3°	REV.	DATE	ECR NO.	REVISIONS	BY	NOTE		
DESIGNED		SCALE		MODEL				THIRD ANGLE PROJECTION	
CHECKED		UNIT	mm	ME260T030EC					
							SHEET		1/1