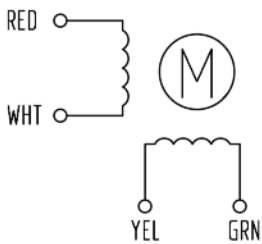


# HIGH TORQUE HYBRID STEPPING MOTOR SPECIFICATIONS

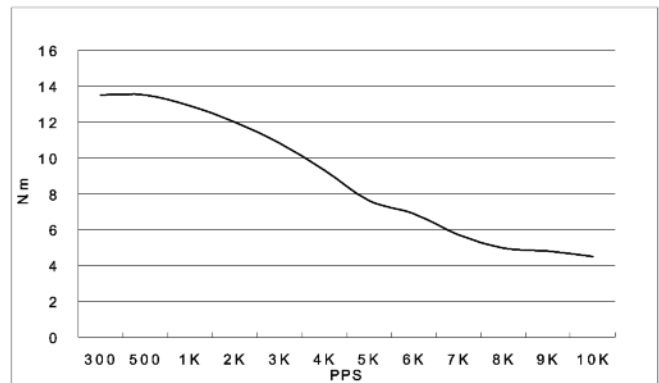
General specifications		Electrical specifications	
Step Angle (°)	1.8	Rated Voltage (V)	4.35
Temperature Rise (°C)	80 Max (rated current, 2 phase on)	Rated Current (A)	6.5
Ambient Temperature (°C)	-20 ~ +50	Resistance Per Phase ( $\pm 10\% \Omega$ )	0.67 (25°C)
Number of Phase	2	Inductance Per Phase ( $\pm 20\% \text{mH}$ )	13.12
Insulation Resistance (M $\Omega$ )	100 Min (500VDC)	Holding Torque (N.m)	19
Insulation Class	Class B	Weight (Kg)	8.4
Max.radial force (N)	220 (20mm from the flange)		
Max.axial force (N)	60		

● **Wiring Diagram :**



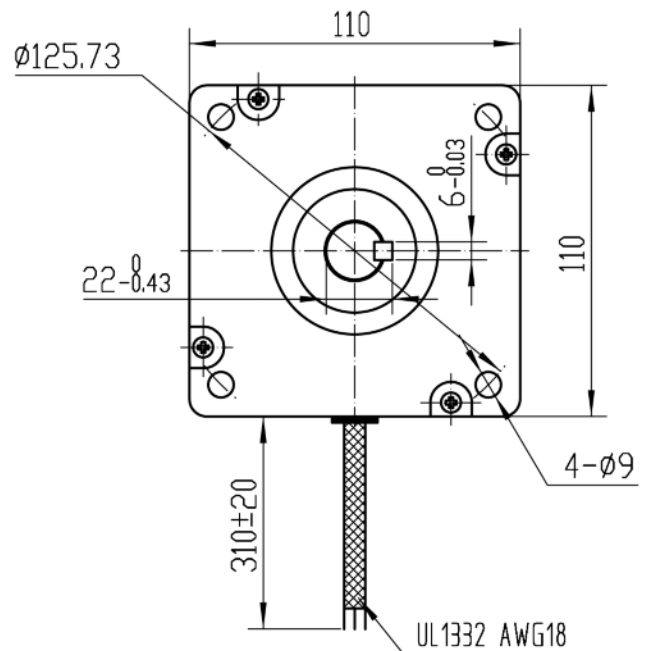
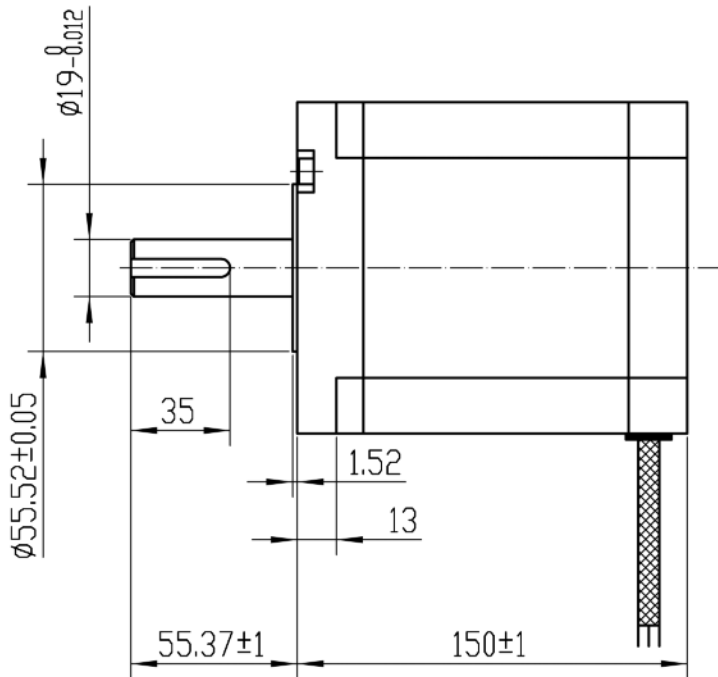
● **Pull out torque curve :**

VOLTAGE: 220VAC, CONSTANT CURRENT: 6.3A, HALF STEP



● **Dimensions:**

(unit=mm)



					<b>T110H150-6504</b>	TECHNICAL CONDITIONS
REV	REVISIONS	DESCRIPTION	BY	DATE	<b>Tiny Controls</b>	242150002
DRAW	2012/4/27					
CHECK						
APPROVE						